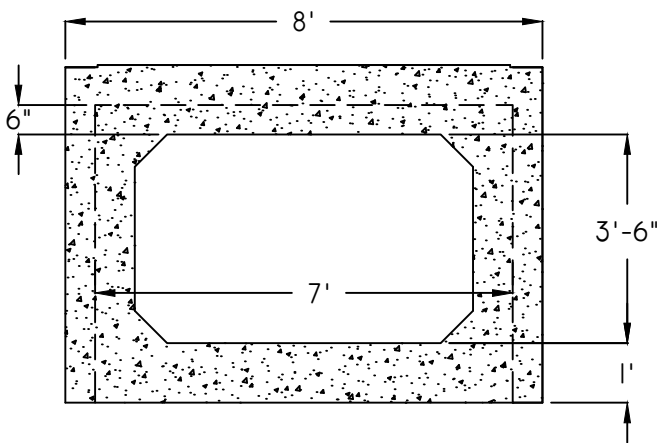


WINDOW

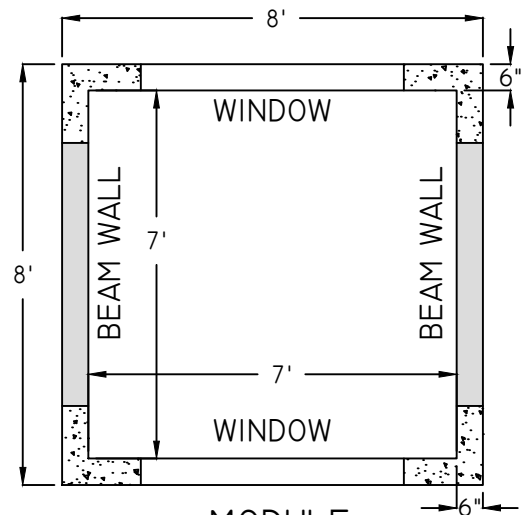


BEAM WALL

INSIDE DIMENSION	CAPACITY		WEIGHT (LBS)
	(GAL)	(CU FT)	
2'	829	110.28	9,090
2.5'	1,056	140.44	9,366
3'	1,283	170.61	9,640.5
3.5'	1,510	200.78	9,915
4'	1,737	230.94	10,191
4.5'	1,964	261.11	10,465.5
5'	2,190	291.28	10,740

DESIGN NOTES:

1. CONCRETE - 5,000 PSI, 28 DAYS
2. REINFORCING STEEL CONFORMS TO LATEST ASTM A615 AND A82 OR A185 SPECS.
3. H-20 DESIGN LOADING PER AASHTO HS-20-44



MODULE SCHEMATIC

MULTI ROW CENTER

(860) 413-3050
www.retain-it.com

retain^{it}
Stormwater Management Systems[®]

ANY MODIFICATIONS TO THIS DOCUMENT WITHOUT THE WRITTEN CONSENT OF ARROW CONCRETE PRODUCTS SHALL RENDER IT INVALID AND UNUSABLE.