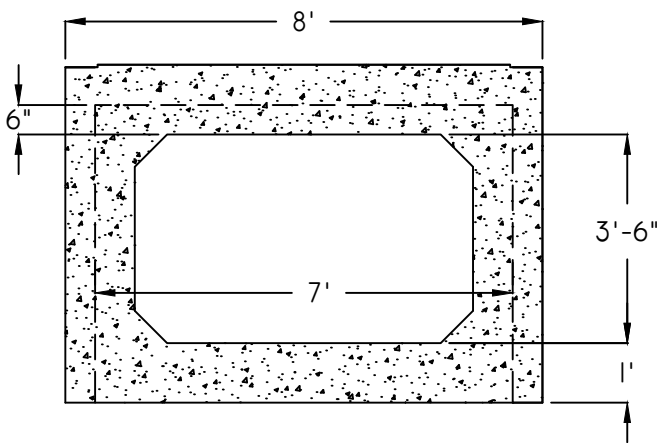


WINDOW

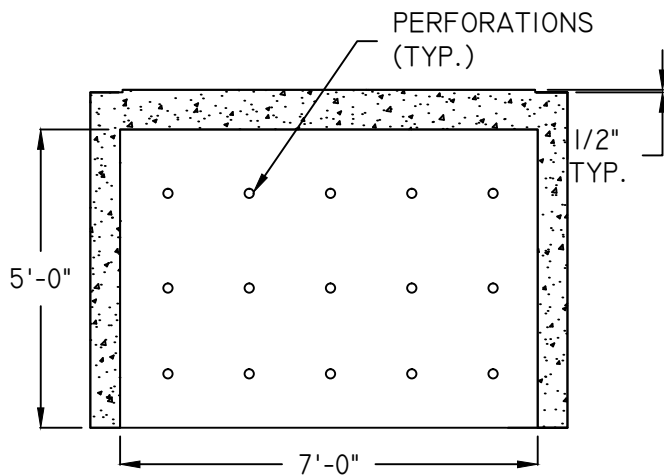
INSIDE DIMENSION	CAPACITY		WEIGHT (LBS)
	(GAL)	(CU FT)	
2'	815	108.39	9,374
2.5'	1,031	137.14	9,861
3'	1,247	165.89	10,349
3.5'	1,464	194.64	10,836
4'	1,680	223.39	11,324
4.5'	1,896	252.14	11,811
5'	2,112	280.89	12,299



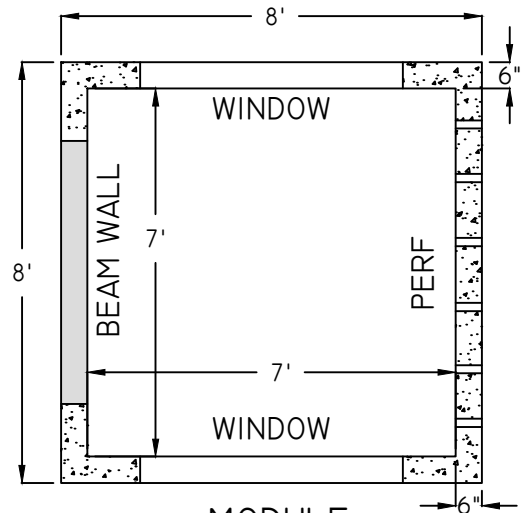
BEAM WALL

DESIGN NOTES:

1. CONCRETE - 5,000 PSI, 28 DAYS
2. REINFORCING STEEL CONFORMS TO LATEST ASTM A615 AND A82 OR A185 SPECS.
3. H-20 DESIGN LOADING PER AASHTO HS-20-44



PERFORATED WALL



MODULE SCHEMATIC

**MULTI ROW PERIMETER**

(860) 413-3050  
www.retain-it.com